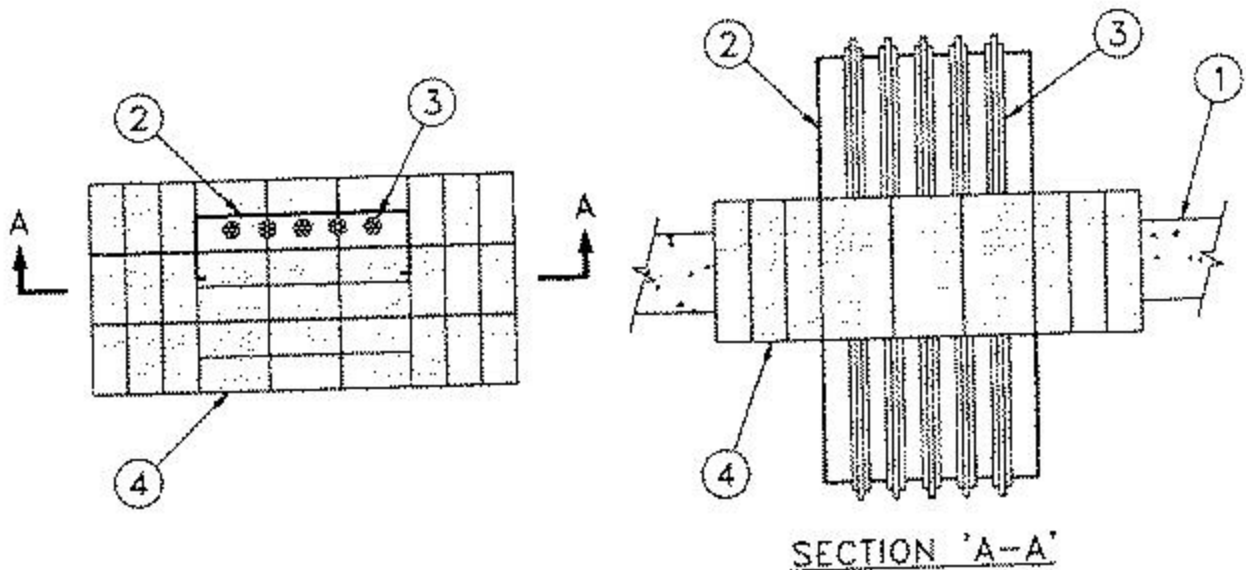


# System No. C-AJ-4052

December 13, 2000

**F Rating — 3 Hr**

**FT Rating — 1/2 Hr**



1. **Floor or Wall Assembly** — Min 4-1/2 in. thick reinforced lightweight (100 pcf) concrete. Max area of opening is 288 sq in. with max dimension of 24 in. Wall may also be constructed of any UL Classified **Concrete Blocks\***.

See **Concrete Blocks (CAZT)** category in the Fire Resistance Directory for names of manufacturers.

2. **Cable Tray\*** — Max 12 in. wide by max 3-5/8 in. (max 3 in. deep loading depth) deep through type cable tray with channel-shaped side rails formed of No. 18 MSG (0.048 in.) thick galvanized steel and with 4 in. wide by No. 18 MSG (0.048 in.) thick ventilated type rungs spaced 10 in. OC. Max one cable tray to be installed either concentrically or eccentrically within the firestop system. The annular space between the cable tray and the periphery of the opening shall be a min 1-1/2 in. to a max 7 in. Cable tray to be rigidly supported on both sides of floor or wall assembly.

3. **Cable** — Aggregate cross-sectional area of cables in cable tray to be max 25% of the cross-sectional area of the cable tray based on a max 3 in. cable loading depth within the cable tray. Any combination of the following types and sizes of cables may be used:

(a) Max 287 lengths of cable, each with 3 pair 24 AWG Type D, telephone cables with PVC insulation and jacket.

(b) Max 24 lengths of double stranded, fibre optic cable, 1/8 in. diam with PVC insulation and jacket.

(c) Max 12 lengths of co-axial cable, 1/4 in. diam, 22 AWG solid copper conductor with polyethylene insulation and PVC jacket.

(d) Max 12 lengths of data cable, Alcatel 380100, E107890, 24 AWG CMR, with PVC jacket.

**4. Fill, Void or Cavity Materials\*—Pillows** — Max 8 in. long by 4 in. wide by 2 in. thick pillow-like material. Pillows shall be tightly packed into opening to fill the annular space between cables and periphery of opening and between cable tray and periphery of opening. Pillows installed with 8 in. dimension projecting through floor or wall and centered within the opening.

**A/D FIRE PROTECTION SYSTEMS INC** — A/D Firebarrier Pillows

\*Bearing the UL Classification Mark