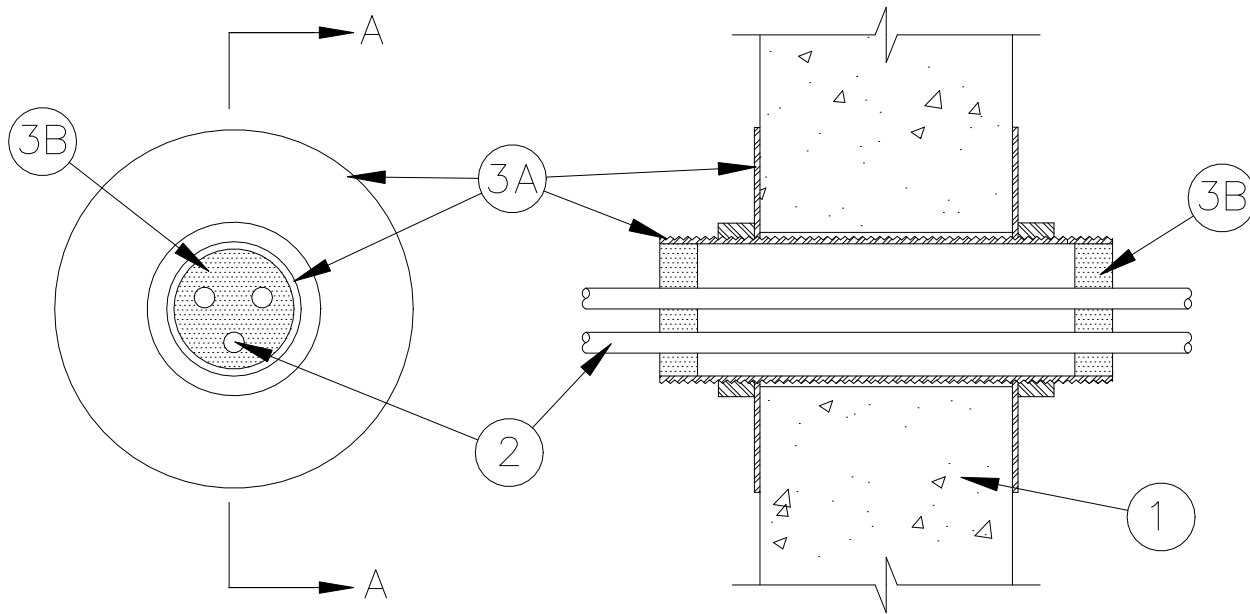


Guide XHEZ
Through-Penetration Firestop Systems

April 12, 2010

System No. W-J-3111
F Rating - 2 Hr
T Rating - 0 Hr



Section A-A