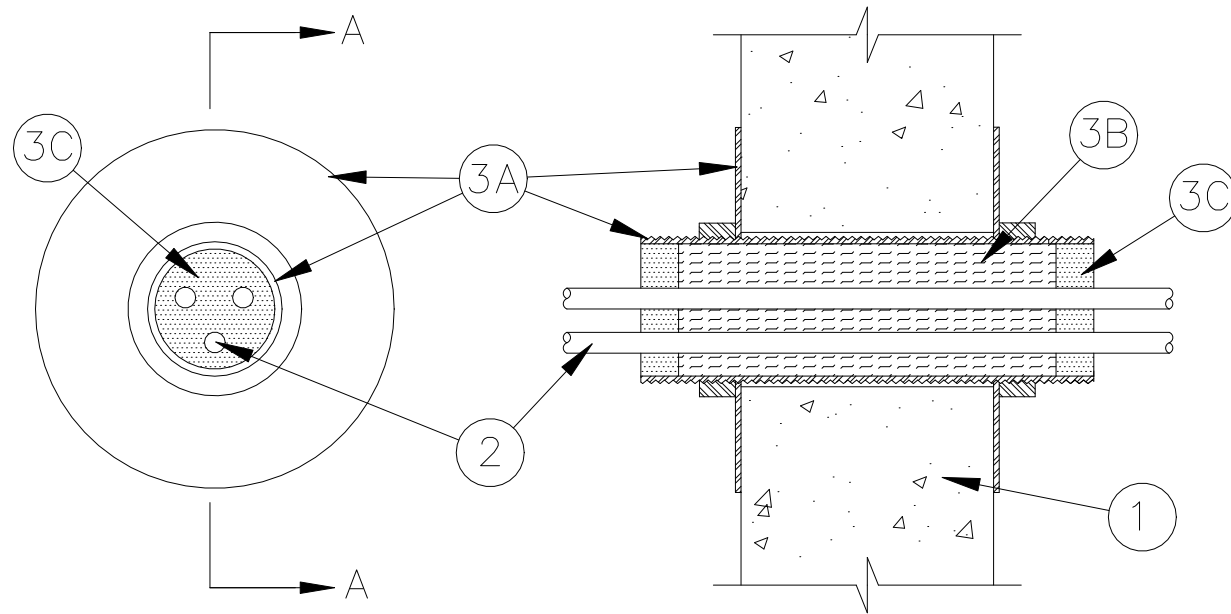


System No. W-J-3112
F Rating - 4 Hr
T Rating - 0 Hr



Section A-A