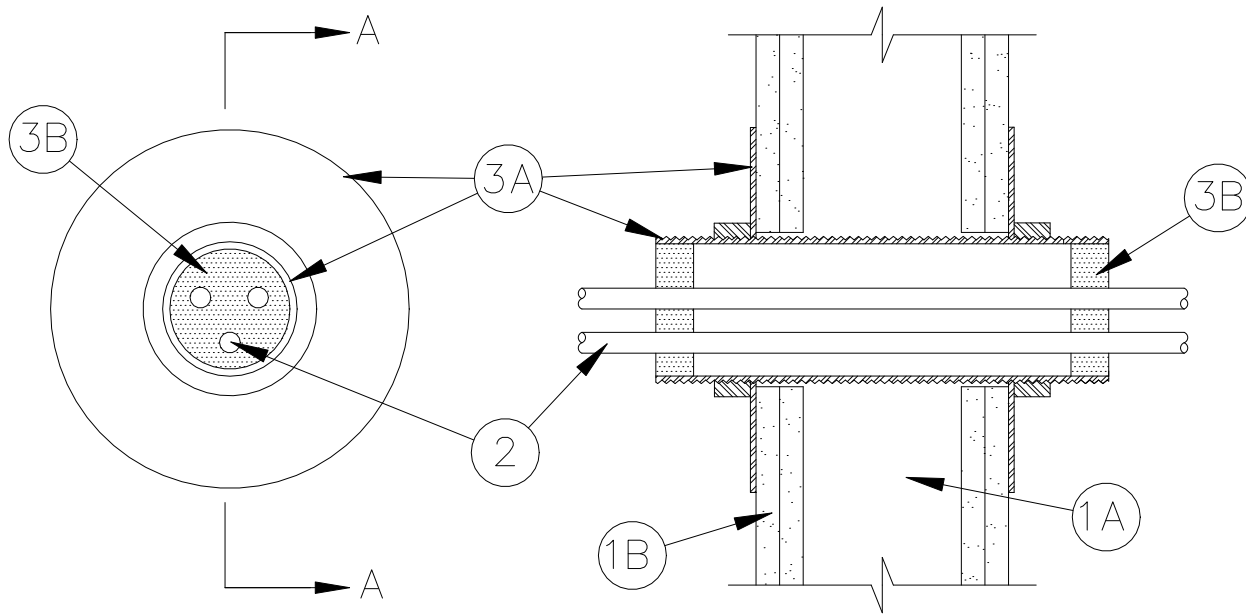


Guide XHEZ
Through-Penetration Firestop Systems

April 12, 2010

System No. W-L-3233
F Ratings - 1 and 2 Hr (See Item 1)
T Rating - 0 Hr



Section A-A